

***E*volution Oil Tools Inc**

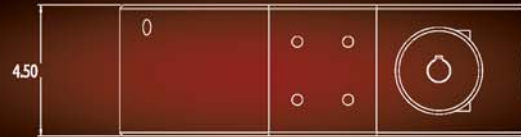
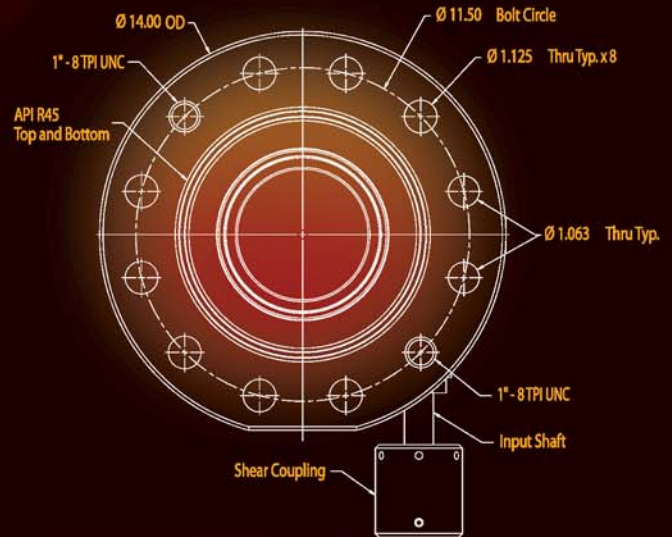
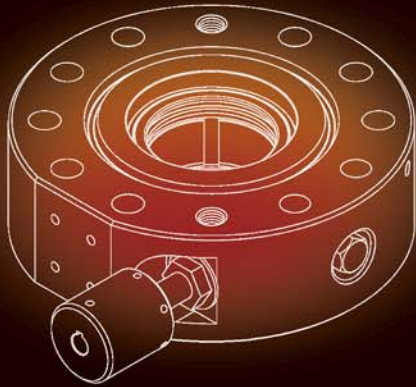


E-PLUS

TUBING ROTATOR

www.eotools.com

E-PLUS TUBING ROTATOR



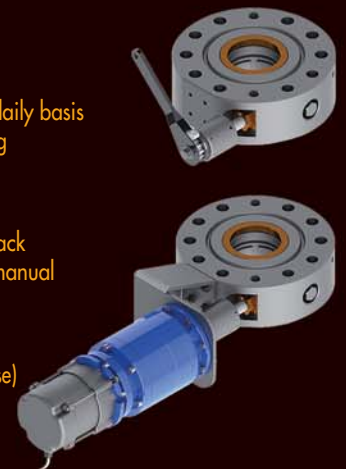
The Eliminator was developed as part of a system primarily designed to extend the life of production tubing beam pumping and P.C. pumping wells.

- **Complies with API 6A bolting requirement**
- Low profile design adds only 4.50" to wellhead height
- Simple installation and removal
- Can adapt to an API wellhead in its range
- Lower ring gasket can be pressure tested
- Virtually maintenance free
- Can be adapted for thermal applications up to 210 °C
- Abnormal pump wear eliminated
- Sand build-up in pump barrel eliminated
- Enhances corrosion inhibitors
- Prolongs tubing life 6-10 times
- Paraffin build-up eliminated (in most cases)
- Rod hang-up eliminated (in most cases)
- Replaces the conventional hanger
- Maintains well control while stripping BOP's
- Can utilize manual, mechanical (pumpjack) or electric (110V, 460V or 12 volt) drive systems

After the installation, the E-Plus Tubing Rotator can be operated through one of three methods:

- 1 MANUALLY DRIVEN**
 - Allows the operator to rotate the tubing on a daily basis
 - Simply crank on the handle to rotate the tubing
- 2 MECHANICALLY DRIVEN**
 - Connected to the walking beam of the pump jack
 - Drive transmission through cable, ratchet, or manual
- 3 ELECTRIC MOTOR DRIVEN**
 - Connects to on sight power (3 phase) (single phase) or 12 volt
 - Uses high ratio speed reducer

All options are provided with a shear mechanism to prevent over torquing of the tubing string.



Evolution Oil Tools Inc

www.eotools.com